







# WASECA COUNTY

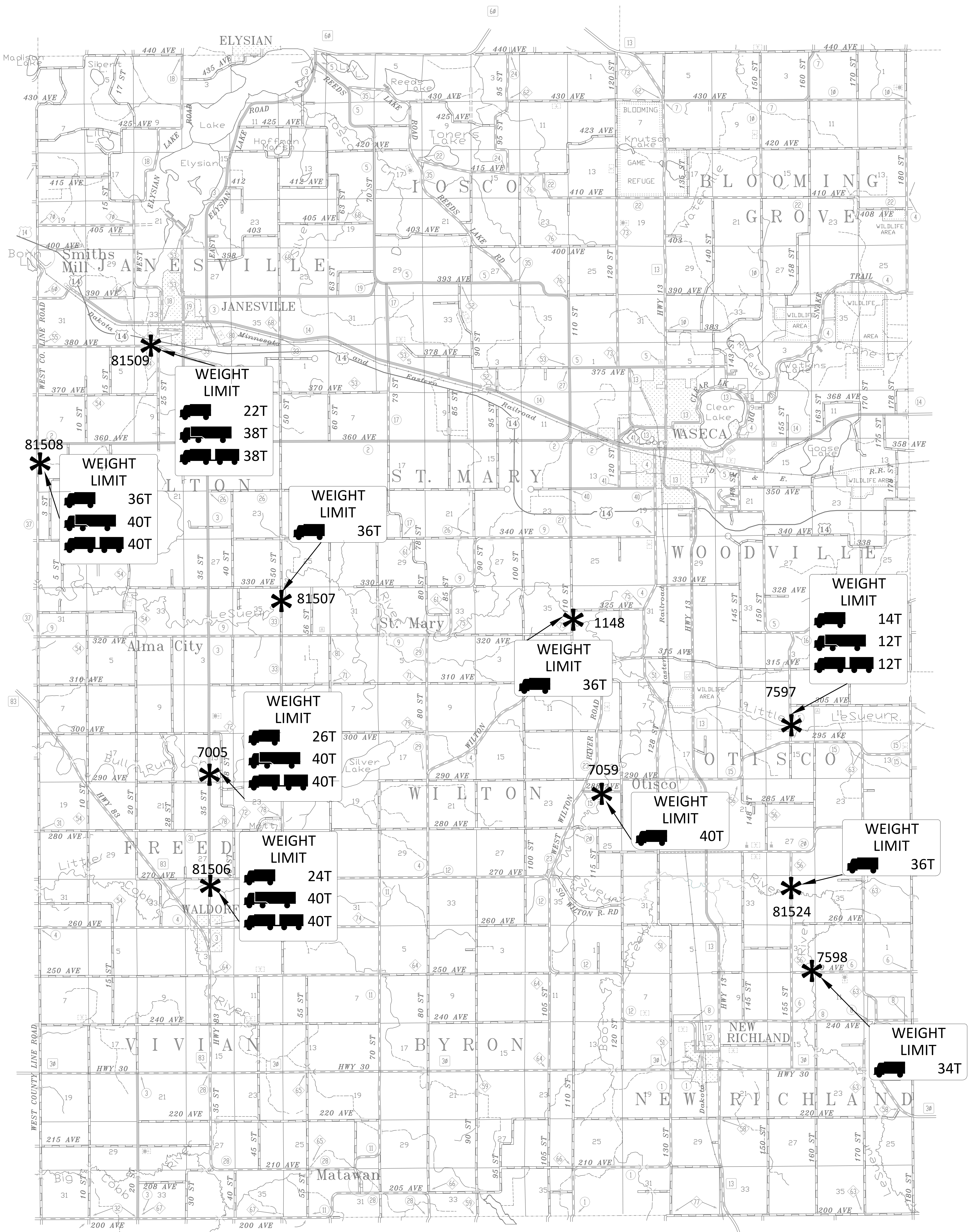
BRIDGE WEIGHT RESTRICTION MAP

2018




SCALE OF STATUTE MILES






- Legend
- State Hwy  13
  - CSAH  10
  - County Road  73
  - Bituminous Surface 
  - Concrete Surface 
  - Gravel Surface 




**WEIGHT LIMIT**

-  22T
-  38T
-  38T




**WEIGHT LIMIT**

-  36T
-  40T
-  40T




**WEIGHT LIMIT**

-  36T


**WEIGHT LIMIT**

-  14T
-  12T
-  12T


**WEIGHT LIMIT**

-  26T
-  40T
-  40T


**WEIGHT LIMIT**

-  36T



**WEIGHT LIMIT**

-  40T

**WEIGHT LIMIT**

-  36T

**WEIGHT LIMIT**

-  24T
-  40T
-  40T

**WEIGHT LIMIT**

-  34T